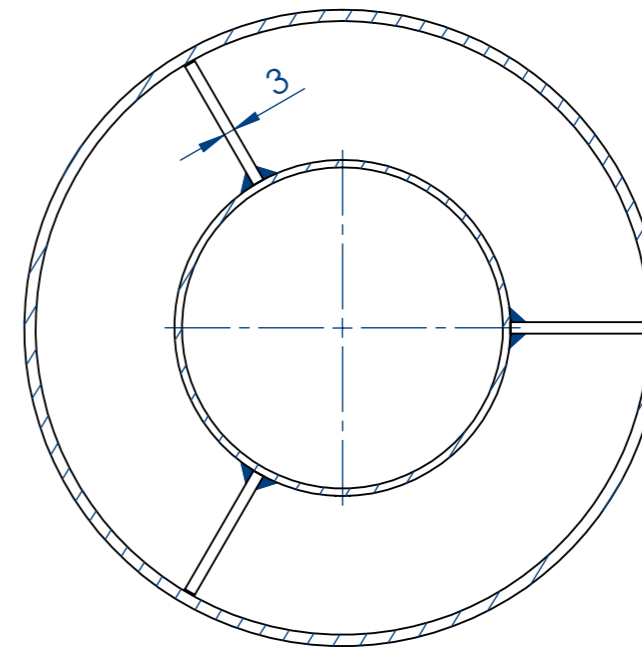
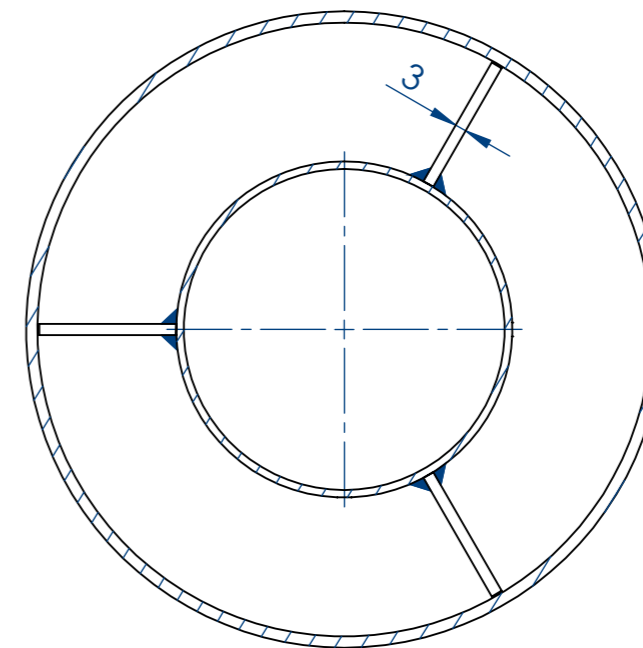


SECTION B-B SCALE 1:2



SECTION C-C SCALE 1:2



Notes:

- All dimensions are in mm, unless otherwise specified.
- All connections by welding

				Title:	
Rev. 0	Name	Date	Signature	Flow: -	
Design.	Slynko A.			Project name:	
Drawn	Slynko A.			Client:	
Approv.				Qty: 4	Project No:
Finish	Material	Scale			
-	AISI 316L	N/A		Weight: 13 Kg	sheet 1 of 1 A3